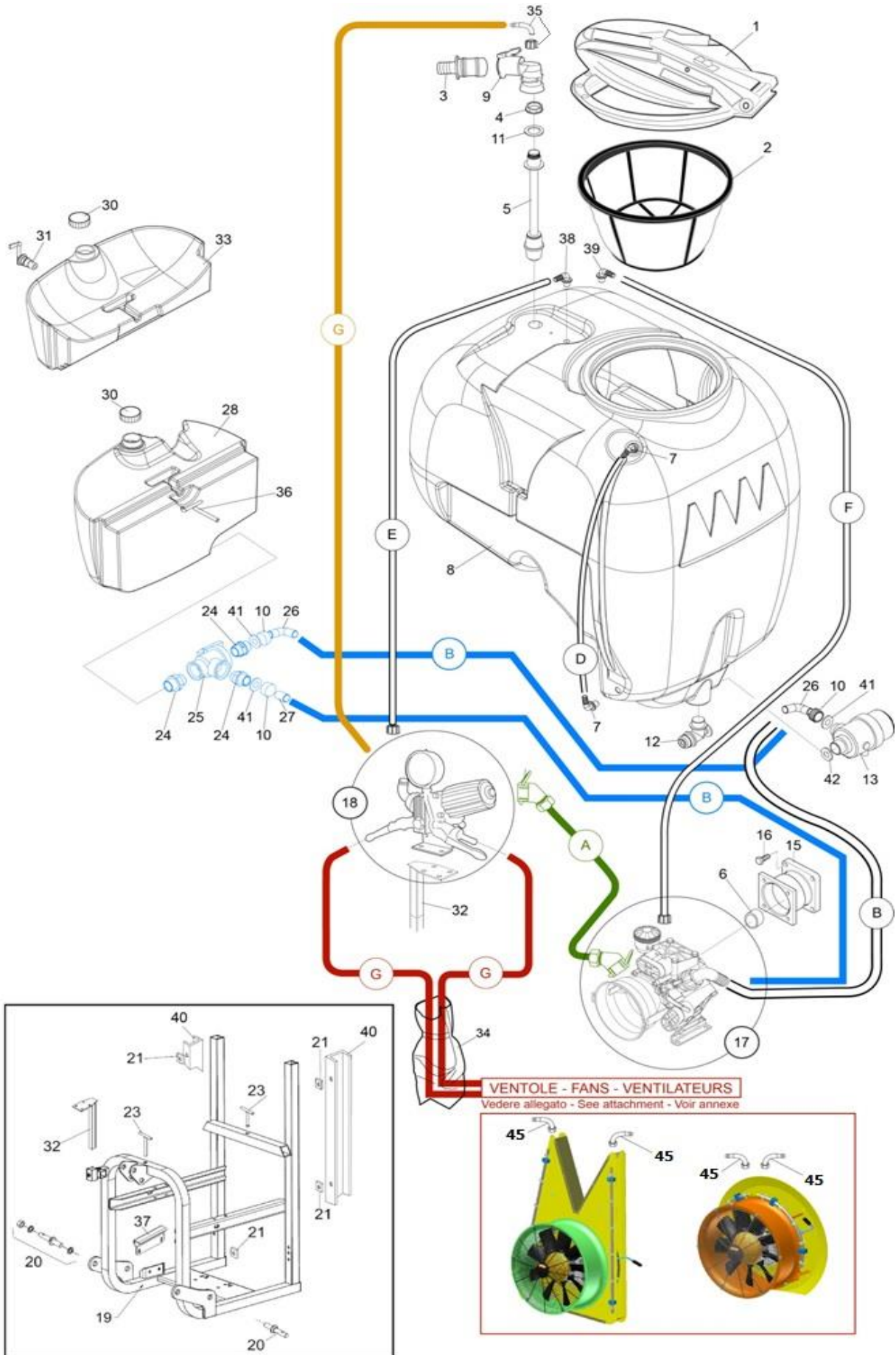


ATOMIZZATORI PORTATI - MOUNTED AIRBLAST SPRAYERS

ATP120 - ATP200

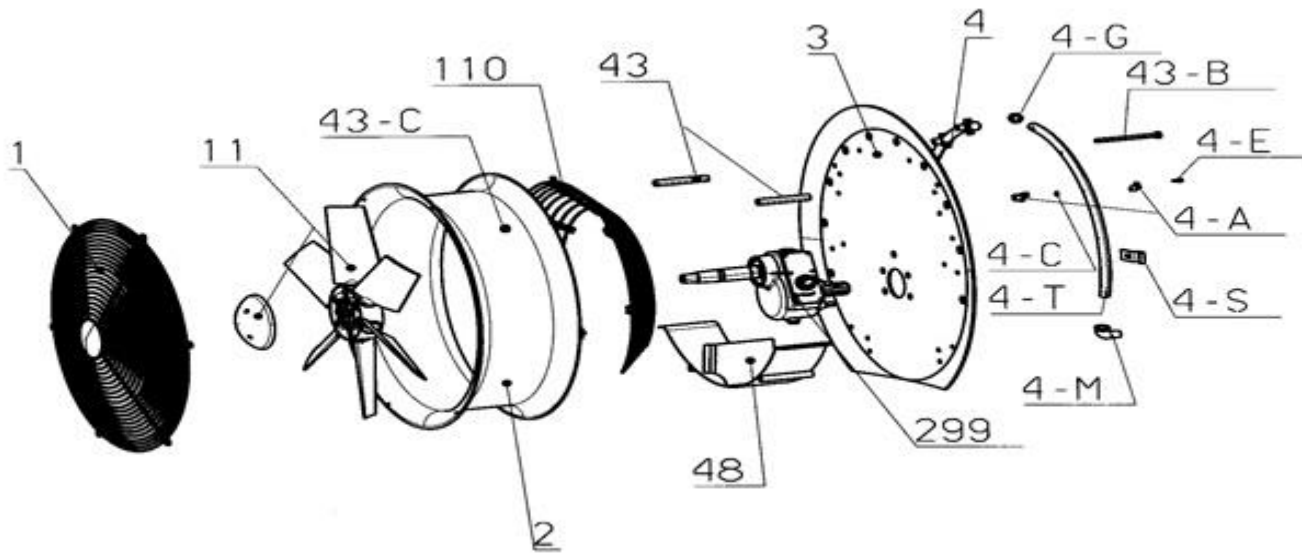


ATP120 - ATP200

POS. POS. POS.	CODICE CODE CODE	DESCRIZIONE DESCRIPTION DESCRIPTION	Q.TA' Q.TY Q.TE'
1	M2602001,5	COPERCHIO RIBALTABILE COMPLETO DIAM. 350 mm - TANK LID	1
2	M2500000,6	FILTRO A SACCO DIAM. 300 mm - FILTER	1
3	K00002001	PORTAGOMMA IN PLASTICA DIAM. 30 mm - COUPLING	1
4	M2001201,2	GHIERA 1"-1/4" - RING-NUT	1
5	T00300002	CORPO AGITATORE - STIRRER BODY	1
6	620250	INNESTO A CARDANO - CARDAN COUPLING	1
7	M8011182	PORTAGOMMA 90° 1/2" DIAM. 16 mm - COUPLING	4
8	M2001201,4	CISTERNA PER GP120/ATP120 TN - 120L TANK	1
8	M2002001,4	CISTERNA PER GP200/ATP200 TN - 200L TANK	1
9	C00000030	COLLETTORE IDROIETTORE A/R DIAM. 3 - HYDROEJECTOR ELBOW	1
10	M2001200,22	GIRELLO 1"-1/4" - RING-NUT	4
10	750670	GIRELLO 1"-1/2" - RING-NUT	4
11	G00002014	GUARNIZIONE PIANA 1"-1/4" - FLAT GASKET	1
12	M2500000,19	VALVOLA DI SCARICO ANTINQUINANTE 1"-1/4" - DRAIN VALVE	1
13	M2500000,9	FILTRO ASPIRAZIONE 1"-1/4" 120L+VALVOLA - SUCTION FILTER+VALVE	1
13	M2012622	FILTRO ASPIRAZIONE 1"-1/4" 160L+VALVOLA - SUCTION FILTER+VALVE	1
		PER FILTRO VEDI PAG. - FOR FILTER SEE PAGE #	P.61
15	5346	FLANGIA PER MULTIPL. VENT. LINEARE - GEARBOX FLANGE FOR LINEAR FAN	1
15	5345	FLANGIA PER MULTIPL. VENT. STANDARD - GEARBOX FLANGE FOR STANDARD FAN	1
16	1606670	VITE TE M10X25 - SCREW	4
17		PER POMPA VEDI PAG. - FOR PUMP SEE PAGE #	P.72
18		PER GR.COM.C/MAN. VEDI PAG. - FOR CONTROL UNIT W/PR.GAUGE SEE PAGE #	P.105
19	M2602002,2	TELAIO SALDATO COMPLETO TN PER ATP120/200 - FRAME FOR ATP120/200	1
20	M2500000,3	PERNO BRACCIO SOLLEV. DIAM. 22 mm - 22 mm PIVOT FOR LIFTING ARM	2
21	M2602000,60	STAFFA FISSAGGIO ACCESSORI GP E VENTOLE 10 MA	4
23	M2602002,018	TIRANTE FISS. CIST.ANT-POST. 120/200L - FRONT&REAR TIE-ROD FOR TANK FIXING	2
24	M8056301	NIPPLO 1"-1/4" - NIPPLE	3
24	M8058301	NIPPLO RIDOTTO 1"-1/4" * 1"-1/2" - NIPPLE	3
25	M2454236	VALVOLA TRE VIE 1"-1/4" - 3-WAY VALVE	1
26	M2600000,12	PORTAGOMMA CURVO DIAM. 22 mm 1"-1/4" - ELBOW	2
26	M2500000,10	PORTAGOMMA CURVO DIAM. 25 mm 1"-1/4" - ELBOW	2
26	M2510000,10	PORTAGOMMA CURVO DIAM. 30 mm 1"-1/4" - ELBOW	2
27	M8002300	TUBETTO DRITTO DIAM. 22 mm 1"-1/4" - STRAIGHT TUBE	1
27	M8002301	TUBETTO DRITTO DIAM. 25 mm 1"-1/4" - STRAIGHT TUBE	1
27	M8002302	TUBETTO DRITTO DIAM. 30 mm 1"-1/4" - STRAIGHT TUBE	1
28	M2602025,38	CISTERNA 25L LAVACIRCUITO TN - 25L TANK FOR CIRCUIT WASHING	1
30	M2602000,75	TAPPO CISTERNA LAVAMANI - CAP OF HAND WASH TANK	2
31	M2603000,3	RUBINETTO 3/4" D. 16 mm PER CIST. LAVAMANI - TAP OF HAND WASH TANK	1
32	M2500000,2	ASTA SUPPORTO GRUPPO COMANDO - SUPPORT FOR CONTROL UNIT	1
33	M2603015,38	CISTERNA LAVAMANI 15L 300/400/600L TN - 15L HAND WASH TANK	1
34	GPVC60	GUAINA PROTEZIONE TUBI PVC DIAM. 60mm - PROTECTIVE SHEATH FOR HOSE	1
35	M2000132	CURVA IDROIETTORE CON GIRELLO 1/2"	1
36	M2602002,184	TIRANTE FISSAGGIO CIST. LAVACIRC.25L TN - TIE-ROD FOR FIXING THE TANK	1
37	M2602002,10	STAFFA SUPP. LAVACIRC. 25L - SUPPORT BRACKET FOR CIRCUIT WASHING TANK	1
38	M2000000,11	RACCORDO SCARICO DIAM. 15 mm - 15mm DRAIN COUPLING	1
39	M2500000,11	RACCORDO SCARICO DIAM. 20 mm - 20mm DRAIN COUPLING	1
40	M15600115	STAFFA ANCORAGGIO VENTOLE DIAM. 500-520 mm - BRACKET FOR FAN MOUNTING	2
41	550350	OR - O-ring	1
42	320030	OR - O-ring	1
45	M110130	CURVA DIAM. 13 mm IN OTTONE CON GIRELLO 1/2" - BRASS ELBOW WITH RING-NUT	2
A	M2105021	TUBO COLLEG.POMPA-DISTRIB. 10x17 50bar - CONNECTION PIPE PUMP-DISTRIB.	mt
A	M2138021	TUBO COLLEG.POMPA-DISTRIB. 13x21 80bar - CONNECTION PIPE PUMP-DISTRIB.	mt
A	M2208020	TUBO COLLEG.POMPA-DISTRIB. 20x30 20bar - CONNECTION PIPE PUMP-DISTRIB.	mt
B	M2190021	TUBO ASPIRAZIONE POMPA DIAM. 20 mm - 20 mm SUCTION HOSE FOR PUMP	mt
B	M2250021	TUBO ASPIRAZIONE POMPA DIAM. 25 mm - 25 mm SUCTION HOSE FOR PUMP	mt
B	M2300021	TUBO ASPIRAZIONE POMPA DIAM. 30 mm - 30 mm SUCTION HOSE FOR PUMP	mt
D	M2001201,12	TUBO LIVELLO GRADUATO 120L - GRADUATED LEVEL	1
D	M2602001,20	TUBO LIVELLO GRADUATO 200L - GRADUATED LEVEL	1
E	M2160021	TUBO SCARICO VALV. SIC. DIAM. 16 mm - 16 mm DRAIN HOSE FOR SAFETY VALVE	mt
E	M2190021	TUBO SCARICO DISTRIB. DIAM. 20 mm - 20 mm DRAIN HOSE FOR DISTRIBUTOR	mt
F	M2160021	TUBO SCARICO VALV. SIC. DIAM. 16 mm - 16 mm DRAIN HOSE FOR SAFETY VALVE	mt
G	M2105021	TUBO ALIM. BARRE/AVVOLG. 10x17 50bar - SUPPLY HOSE FOR BOOMS/HOSE R.	mt
G	M2108021	TUBO ALIM. BARRE/AVVOLG. 10x19 80bar - SUPPLY HOSE FOR BOOMS/HOSE R.	mt
G	M2138021	TUBO ALIM. BARRE/AVVOLG. 13x21 80bar - SUPPLY HOSE FOR BOOMS/HOSE R.	mt

**VENTOLA STD 500mm - PER ATOMIZZATORI PORTATI**

**500mm STANDARD FAN - FOR MOUNTED SPRAYERS**



POS. POS. POS.	CODICE CODE CODE	DESCRIZIONE DESCRIPTION DESCRIPTION	Q.TA' Q.TY Q.TE'
1	RET1-T	RETE D.500 ZINCATA - GALVANIZED FAN GUARD	1
2	CNV5-T	CONVOGLIATORE 500 ZINCATO H.230 - GALVANIZED CONVEYOR	1
3	PIA306-T	PIASTRA ZINCATA BOMBATA per ventola 500 - GALVANIZED CURVED PLATE	1
4S	STA1-T	STAFFE ZINCATE PER TUBI - GALVANIZED BRACKETS FOR PIPES	4
48	DVT14-T	DEVIATORE ZINCATO H.120 mm x V1 - GALVANIZED DEFLECTOR	1
110	RET113-T	PROTEZIONE EXPORT D. 500 ZINCATA - GALVANIZED SAFETY GUARD	1
	BULL11-T	KIT BULLONI H. 120 mm 2 DISTANZIERI - KIT BOLTS 2 SPACERS	1
43	DIS10-T	DISTANZIERE CARP. 3/8 h.120 - SPACER	2
43B	TER4-T	TE R80 10X140 - SCREW	S
43C	AUT1-T	AUTOBLOCCANTE 10 MA - SELF-LOCKING NUT	4
4	TUB40DX-T	TUBO INOX COMPLETO 5M DX per vent. D.500- S.S. PIPE WITH 5 HOLES (RIGHT SIDE) for fan D.500	1
4	TUB40SX-T	TUBO INOX COMPLETO 5M SX per vent. D.500- S.S. PIPE WITH 5 HOLES (LEFT SIDE) for fan D.500	1
4G	TAP1-T	TAPPO 1/2 GAS F - CAP	1
4M	CUR1-T	CURVA 1/2-1/2 GAS - ELBOW	1
4A	MOR0-T	MORSETTO 1/4 F GAS-CORTO - SHORT CLAMP	10
4C	OR14-T	OR 3030 VITON - O-ring (VITON)	5
4E	TCC4-T	TCCE 6X14 - BOLT	10
11	VEN32-T	GRUPPO 8 PALE D.500mm COMPLETO - COMPLETE FAN D. 500 8 BLADES	1
299	MOLV1N72-T	MOLTIPLICATORE 500/720 CMV.per atomizzatori trainati- GEAR BOX FOR 500/720 FAN (TRAILED V.)	1
299	MOLV1N73-T	MOLTIPLICATORE 500/720 per atomizzatori portati - GEAR BOX FOR 500/720 mm FAN (MOUNTED V.)	1